

**ORION PHARMA** Artwork created 22.6.2016/JS JT 304497

**Carton:**  
 SAP number:141859-1  
 Size: 80x45x115mm  
 Construction: K11  
 Material: Fully coated folding boxboard  
 Thickness: 440 micr.

**Braille:** bufomix easyhaler #80/4,5  
**Codes:** EAN, Pharmacode 984

**Environmental:**  
 Component weight: 11 g Paper

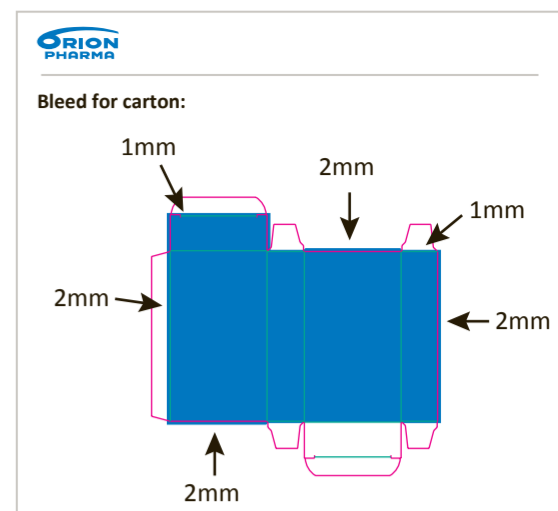
**Colors:**  
 Black  
 PMS 185  
 PMS 2758  
 PMS 123

**Fonts and size (min 7pt):**  
 Omnes 7 pt  
 Braille 1cm Dutch 28,46pt  
 Pharmacode-O 36pt

**Number of colors:** 4  
**Varnish:** Partial

**Non print colors:**  
 Die cut:  
 cut  
 crease  
 No color or varnish  
 Braille

**Approved for printing by:**  
 Date:



**Label:**

SAP number: 141914-1  
 Size: 60x27mm  
 Inter label gap: 3,339mm  
 Material: PRIMAX I-S692  
 Glue: S-692  
 Spool width: 76mm  
 Roll max. width: 400mm  
 Unwinding direktion: 2

Codes: cameracode

**Environmental:**  
 Component weight: 0,1 g Paper

**Colors:**

Pantone Black   
 Pantone 2755

Number of colors: 2  
 Varnish: No

**Non print colors:**

Die cut: cut

**Fonts and size:**

Omnes,  
 Min. 7pt

Material number:  
 Swiss 721 BT 5,91pt

**Approved for printing by:**

**Date:**



Unwinding direction outside (2)  
 Bottom of label dispenses first

**Inter label gap**

